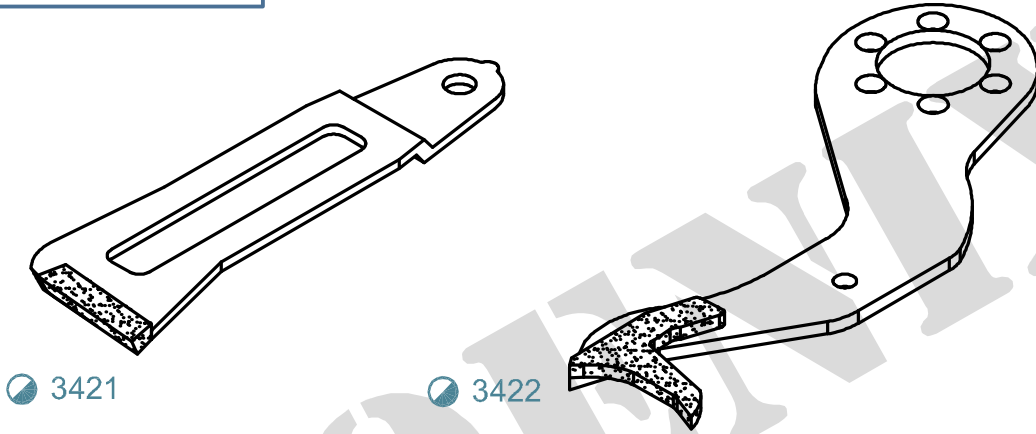


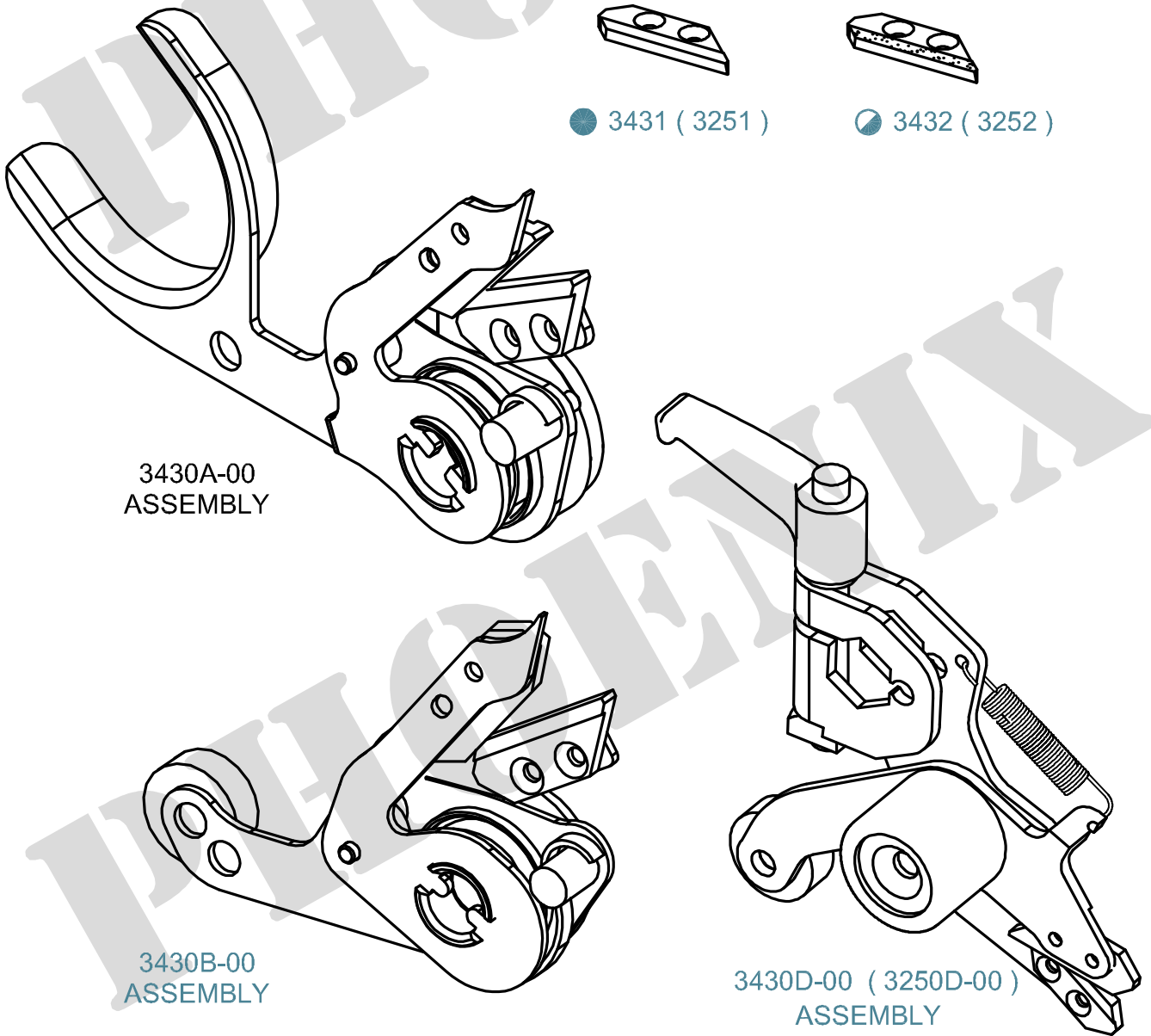
3420 - (SELVEDGE)



● 3421

● 3422

3430 - (WEFT)



● 3431 (3251)

● 3432 (3252)

3430A-00
ASSEMBLY

3430B-00
ASSEMBLY

3430D-00 (3250D-00)
ASSEMBLY

MATERIAL CODE : ● SOLID CARBIDE , ○ HSS , ◐ BRAZED CARBIDE , ⊙ TIN COATED